

entrances • storefronts • ribbon walls



entrances • storefronts • curtain walls • windows • hurricane resistant systems
blast resistant systems • ribbon walls • sun control products



Bransom Elementary - Burleson, TX



Williams - Sonoma - Fort Worth, TX



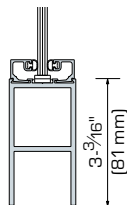
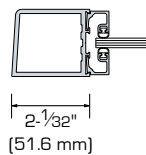
Panda Express - Waxahachie, TX

SERIES 250, 400, & 550 ENTRANCE DOORS

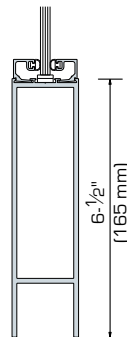
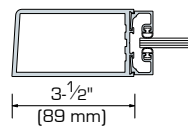
- Mechanically Fastened and Welded Corner Construction
- Astral II Push/Pull Hardware
- For Light, Medium or Heavy Traffic Applications

SERIES	STILES	TOP RAIL	BOTTOM RAIL
250 Narrow Stile	2" (51)	2-1/8" (54)	3-3/16" (81)
400 Medium Stile	3-1/2" (89)	3-3/16" (81)	6-1/2" (165)
550 Wide Stile	5" (127)	5-1/2" (140)	6-1/2" (165)

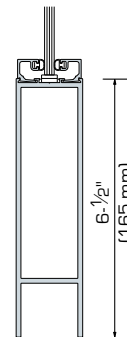
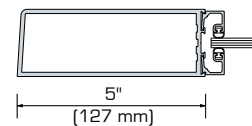
250



400



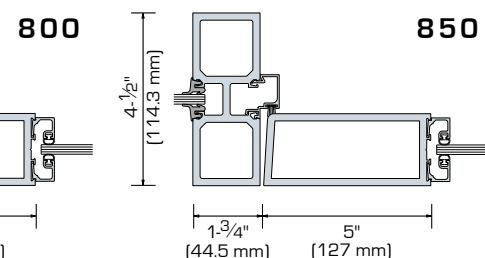
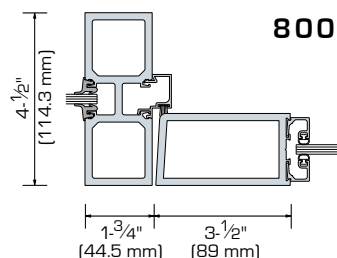
550



SERIES 800 & 850 DURAFRONT ENTRANCE DOORS

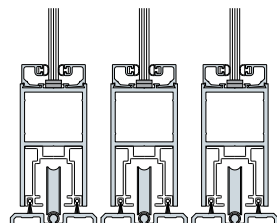
- Medium and Wide Stile Models
- Mechanically Fastened and Welded Corner Construction
- Astral II Push/Pull Hardware Standard
- For Extremely Heavy Traffic Applications (Schools, Institutional Buildings, etc.)

SERIES	STILES	TOP RAIL	BOTTOM RAIL
800	3-1/2" (89)	3-11/32" (85)	6-1/2" (165)
850	5" (127)	5-1/2" (140)	6-1/2" (165)



SERIES 2000 SLIDING DOORS

- Multi-Track Sliding Door
- Stacking Head Channels and Bottom Tracks
- Adjustable Tandem Rollers
- Interior Applications Only





A P Solis Middle School - Donna, TX



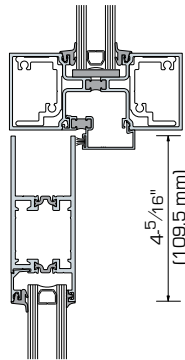
Plano Subaru - Plano, TX



Restaurant Entrance - St. Louis, MO

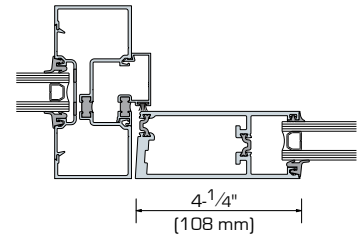
SERIES 400T THERMAL DOOR

- Mechanically Fastened Corner Construction
- Astral II Push/Pull Hardware Standard
- For Extremely Cold Climate Applications
- CRF: 57 (frame); 76 (glass)
- U Value: 57
- CSA-A440 Temp Index: 42



SERIES	STILES	TOP RAIL	BOTTOM RAIL
400T	4-1/4" [108]	4-5/16" [109.5]	7-1/4" [184]

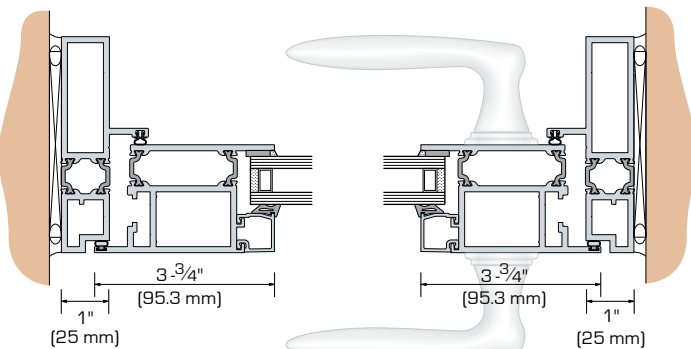
Patent No. 6, 829, 868 B1



SERIES 900 TERRACE DOOR

- 1" x 4-1/2" (25 x 114 mm) Framing
- Accepts 1" (25 mm) Glazing
- Three Hardware Styles With 12 Finish Options
- Available as In-Swing or Out-Swing
- Seven Point Locking Device for Pairs and Five Point Device for Singles
- Thermally Broken
- Water: 12 PSF (out-swing), 6 PSF (in-swing)
- Air: <.30 CFM

SERIES	STILES	TOP RAIL	BOTTOM RAIL
900	2-1/4" [57.2]	3-3/4" [95.3]	3-3/4" [95.3]



ADA HARDWARE

- All Entrance Doors Comply With ADA Rules and Regulations
- Optional Hardware Available to Meet Various Building Codes - Such as Maximum Opening Force, Threshold Height and Special-Height Bottom Rails

ENTRANCE HARDWARE

- Standard Hardware for All United States Aluminum Entrance Doors
- Solid 1" (25 mm) Diameter Push/Pulls
- Clear and Champagne Anodized Finishes



Astral II



Evansville Vanderburgh Public Library - Evansville, IN



LA Fitness - Duncanville, TX

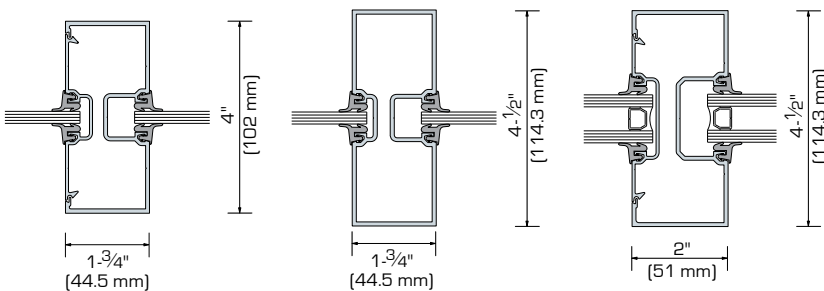
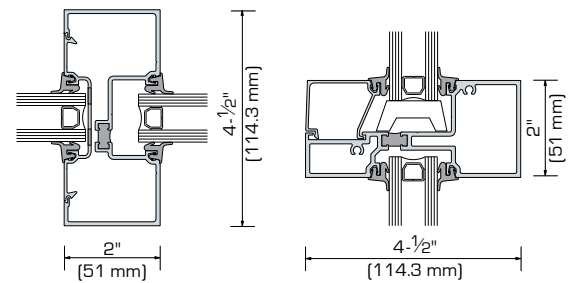
SERIES 400, 450, & 451 CENTER GLAZED STOREFRONT SYSTEMS

- Panel or Stacking Installation
- Interior or Exterior Glazing
- Top Load E.P.D.M. Gasket
- Retail Centers, Schools, Post Offices or any Ground Floor Application
- Air: <.06 CFM
- Water: 8 PSF
- Structural: 30 PSF

SERIES IT451 CENTER GLAZED STOREFRONT SYSTEM

- Thermally Broken
- Poly-Aluminizer™ and Struct-Link™ Technology
- Interior or Exterior Glazed
- Air: <.06 CFM
- Water: 8 PSF
- Structural: 35 PSF
- CRF: 61
- U Value: .60

SERIES	WIDTH	DEPTH	GLAZING INFILLS
400 or 400-S	1-3/4" (44.5)	4" (102)	1/4" or 3/8" (6 or 10)
450 or 450-S	1-3/4" (44.5)	4-1/2" (114.3)	1/4" or 3/8" (6 or 10)
451 or 451-S	2" (51)	4-1/2" (114.3)	1" (25)
IT451	2" (51)	4-1/2" (114.3)	1" (25)





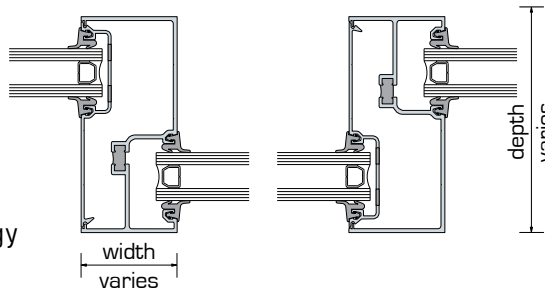
Frank Kent Hummer - Fort Worth, TX



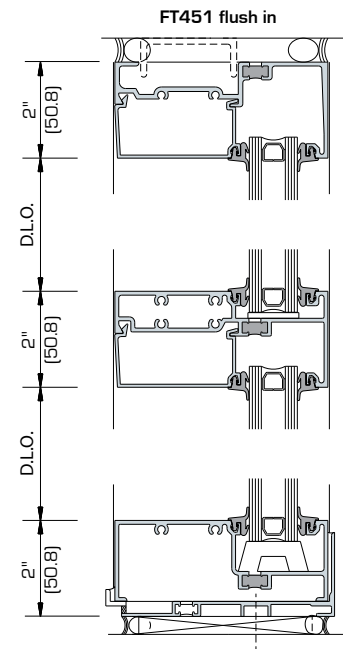
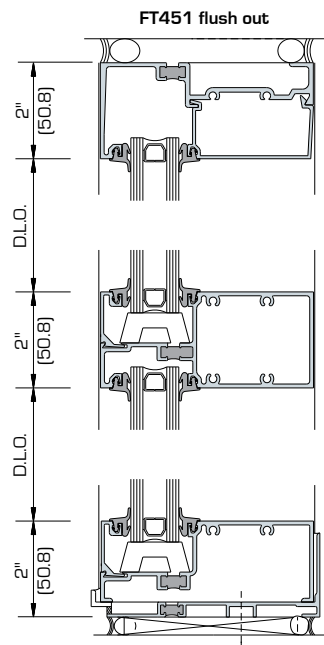
Women's Basketball Hall of Fame - Knoxville, TN

SERIES FF450, FF451, FT451, FF600, FF601, & FT601 FLUSH FRONT™ STOREFRONT SYSTEMS

- Panel Installation
- Interior or Exterior Glazing
- Glass Can be Flush-In, Flush-Out or a Combination of The Two
- Tested for Ribbon Window Applications
- Ground Floor to Mid-Rise Buildings
- FT Series Features Poly-Aluminizer™ and Struct-Link™ Technology
- Air: <.06 CFM/sq. ft.
- Water: 8 PSF
- Structural 30 PSF
- CRF: 63 (FT451 Flush Out)*
- U Value: .63 (FT451 Flush Out)*



SERIES	WIDTH	DEPTH	GLAZING INFILLS
FF450	1-3/4" [44.5]	4-1/2" [114.3]	1/4" or 3/8" [6 or 10]
FF451	2" [51]	4-1/2" [114.3]	1" [25]
FT451	2" [51]	4-1/2" [114.3]	1" [25]
FF600	1-3/4" [44.5]	6" [152]	1/4" or 3/8" [6 or 10]
FF601	2" [51]	6" [152]	1" [25]
FT601	2" [51]	6" [152]	1" [25]



*Performance results may vary based on configuration and glass type; contact U.S. Aluminum for more information.



National Guard Armory - Spokane, WA



Bass Pro Shop Outdoor World - Hampton, VA



DFACS - Savannah, GA

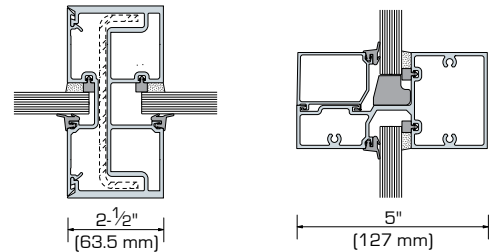
SERIES IG500/IG600 STORM FRONT™ IMPACT RESISTANT STOREFRONT SYSTEMS



- Meets Miami/Dade County Protocol
- Large Missile Impact and Cycle Tested
- Design Wind Pressure of 65 PSF (159 MPH)
- Structurally Tested to 112.5 PSF (210 MPH)
- Center Glazed With Screw Spline Assembly
- Built-In Secondary Water Control
- Water: 12 PSF
- Air: <.06 CFM

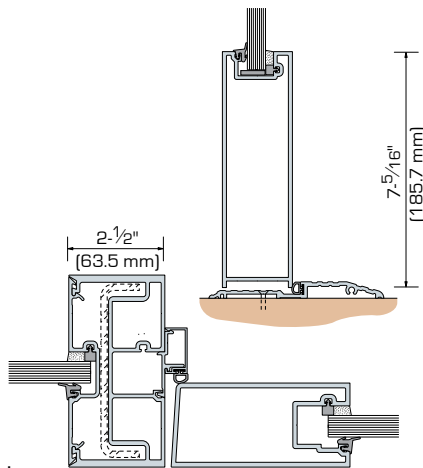
SERIES	WIDTH	DEPTH	GLAZING INFILLS
IG500	2-1/2" (63.5)	5" (127)	9/16" (14.3)
IG600	2-1/2" (63.5)	5" (127)	1-5/16" (33.3)

Patent No. 6, 829, 868 B1



SERIES IG500 & IG600 STORM FRONT™ ENTRANCES

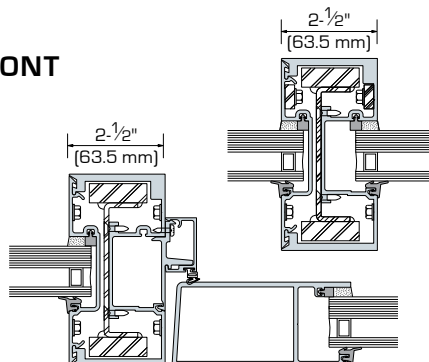
- Meets Miami/Dade County Protocol
- Requires Only One Glazing Bead
- Air and Water Resistant Threshold
- Forced Entry Tested
- ADA Compliant Ramp Optional
- Built-In Secondary Water Control
- Single or Pairs



SERIES	STILES	TOP RAIL	BOTTOM RAIL	GLAZING INFILLS
IG500	2-1/2" (63.5)	4-11/16" (119)	7-5/16" (185)	9/16" (14.3)
IG600	2-1/2" (63.5)	4-11/16" (119)	7-5/16" (185)	1-5/16" (33.3)

SERIES BR604 & BR606 BLAST RESISTANT STOREFRONT

- Blast Tested to 6 PSI
- Secondary Water Control
- Tested With Storm Front™ Entrance
- Air: <.06
- Water: 12 PSF
- Structural: 66 PSF



DEFENDER BLAST MITIGATION PRODUCT

SERIES	STILES	TOP RAIL	GLAZING INFILLS	PRESSURE TEST
BR604	2-1/2" (63.5)	5" (127)	1-5/16" (33.3)	1-4 PSI
BR606	2-1/2" (63.5)	5" (127)	1-5/16" (33.3)	6 PSI



University of Phoenix - Tucson, AZ

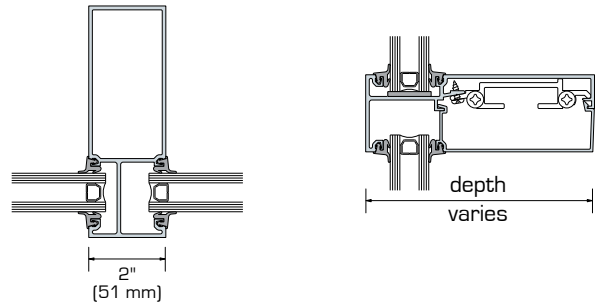


Chesterfield Valley Technical Building - Chesterfield, MO

SERIES OS-2 HORIZONTAL RIBBON WALL

- Shallow Face Reveal for Flush Exterior Appearance
- Stacking Installation
- Interior or Exterior Glazed
- Optional Structural Silicone Vertical Mullions
- Can be Used as a Storefront System
- Low-Rise Building With Fixed Horizontal Ribbon Windows
- Air: <.06 CFM
- Water: 7 PSF
- Structural: 30 PSF

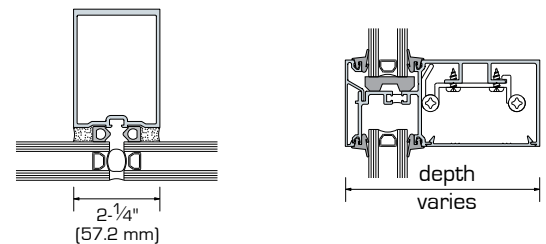
SERIES	WIDTH	HEAD / SILL DEPTH	GLAZING INFILLS
OS175	2" (51)	2" (51)	1/4" or 3/8" (6 or 10)
OS450	2" (51)	4-3/4" (120.7)	1/4" or 3/8" (6 or 10)
OS451	2" (51)	4-3/4" (120.7)	1" (25)
OS600	2" (51)	6-1/4" (159)	1/4" or 3/8" (6 or 10)
OS601	2" (51)	6-1/4" (159)	1" (25)



SERIES BG & BT HORIZONTAL RIBBON WALLS

- Vertically Butt Glazed Captured Horizontal
- Stacking Installation
- Exterior or Interior Glazed
- Two-Tone Finish Option
- BT Series Features Poly-Aluminizer™ and Struct-Link™ Technology
- Low to Mid-Rise Buildings With Fixed Horizontal Ribbon Windows
- Air: <.06 CFM
- Water: 12 PSF
- Structural: 30 PSF
- CRF: 64 – BT Series Only
- U Value: .62 – BT Series Only

SERIES	WIDTH	HEAD / SILL DEPTH	GLAZING INFILLS
BG450	2-1/4" (57.2)	4-1/2" (114.3)	1/4" (6)
BG525	2-1/4" (57.2)	5-1/4" (133.4)	1" (25)
BT525	2-1/4" (57.2)	5-1/4" (133.4)	1" (25)
BG520	2-1/4" (57.2)	5-1/4" (133.4)	1/4" (6)
BG600	2-1/4" (57.2)	6" (152)	1" (25)
BT600	2-1/4" (57.2)	6" (152)	1" (25)





The New U.S. Aluminum Facility in Los Angeles, California

U.S. Aluminum is a Manufacturer and Supplier of:

- Entrances and Storefronts
- Windows and Curtain Walls
- Hurricane Resistant Building Fronts
- Sun Control Systems
- Blast Mitigation Systems
- Ribbon Wall Systems
- Custom Extrusions

National Toll Free Phone
(800) 262-5151

National Toll Free Fax
(866) 262-3299

Online
usalum.com
crlaurence.com

U.S. Aluminum Serves You From 11 Locations in North America

Los Angeles, CA

2450 E. Vernon Ave.
Los Angeles, CA 90058-1802
Toll Free Phone: (800) 262-5151
Phone: (323) 268-4230
Fax: (866) 262-3299

Dallas, TX

4841 Lakawana St.
Dallas, TX 75247-6713
Phone: (214) 638-8722
Fax: (214) 638-3299

Houston, TX

5910 West by Northwest, Suite 300
Houston, TX 77040-4949
Phone: (713) 462-1766
Fax: (713) 462-1680

Waxahachie, TX (Dallas Area)

200 Singleton Dr.
Waxahachie, TX 75165-5094
Phone: (972) 937-9651
Fax: (972) 937-0405

Chicago, IL

6969 W. 73rd St.
Chicago, IL 60638-6092
Phone: (708) 458-9070
Fax: (708) 458-7364

St. Louis, MO

11621 Fairgrove Industrial Bl.
Maryland Heights, MO 63043-3437
Phone: (314) 997-5112
Fax: (314) 997-7504

Langley, BC (Vancouver Area)

5377 272nd St.
Langley, BC V4W 1P1 Canada
Phone: (604) 857-7766
Fax: (604) 857-1377

Atlanta, GA

5530 Westpark Drive SW
Atlanta, GA 30336-2645
Phone: (404) 344-3468
Fax: (404) 344-3412

Rock Hill, SC (Charlotte, NC Area)

720 Celriver Rd.
Rock Hill, SC 29730-8937
Phone: (803) 366-8326
Fax: (803) 366-5776

Davenport, FL (Orlando Area)

45150 US Highway 27 North, Suite D
Davenport, FL 33897-4512
Phone: (863) 424-4700
Fax: (863) 424-4646

Miami, FL (Formerly Delta Doors)

7500 N.W. 69th Ave.
Miami, FL 33166-2543
Phone: (305) 888-0077
Fax: (305) 884-3111

United States ALUMINUM  **C.R. LAURENCE**
USALUM.COM

AVDB4074

On the cover
Rooms To Go Store
Myrtle Beach, South Carolina